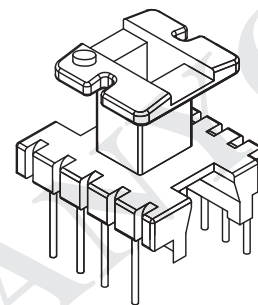
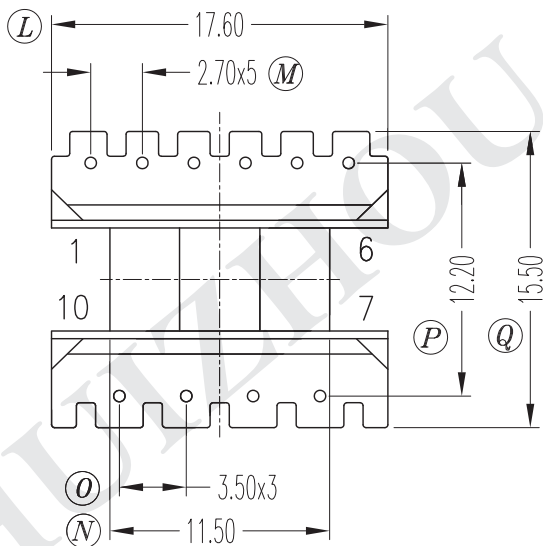
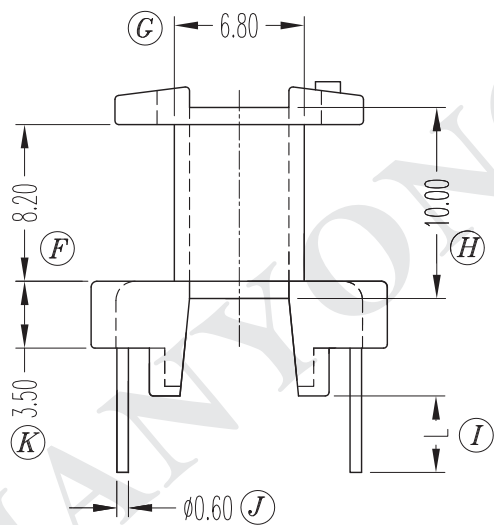
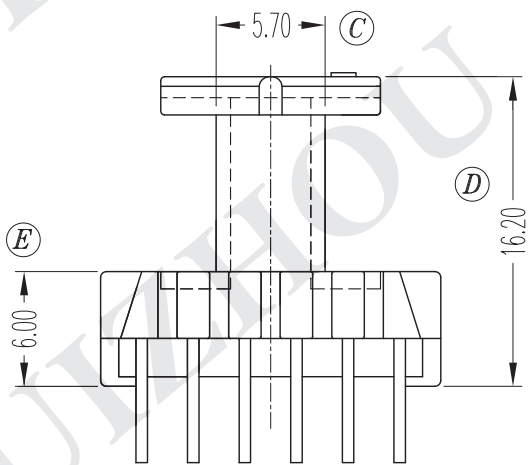
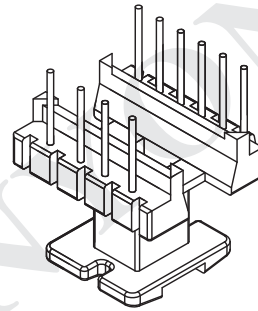
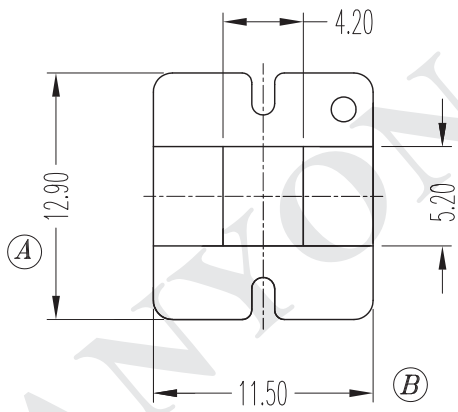


REV.	REVISIONS	REC.	DATE
A	FIRST RELEASE		2011.08.18



DRAWN & DRAFTED BY CHEN XL	TOLERANCES		ANGLE: ±1°	TITLE & DESC.: T-H BOBBIN EE16 (4+6 PIN)	
	0<L≤4 ±0.1	pin pitch ±0.2	UNIT: MM	MAINBODY MATERIAL: PHENOLIC	UL REC. UL 94V-0
CHECKED & APPROVED BY J.RONG	4<L≤16 ±0.2		SCALE: 1:1	PIN MATERIAL: CP WIRE	PIN RETENTION LOAD: 1.2 KGF MIN
	16<L≤63 ±0.3		DATE: AUG.18 '2011	DRAWING NO. JT-1601	REV. A



惠州市建永绝缘制品有限公司
HUIZHOU JIANYONG INSULATED PRODUCT CO., LTD

惠州市建鑫实业有限公司
HUIZHOU JIANXIN INDUSTRIAL CO., LTD

