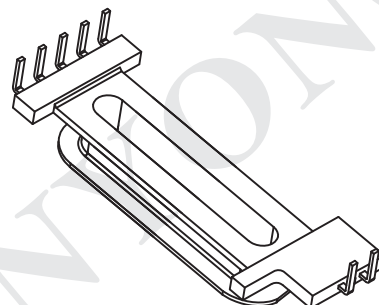
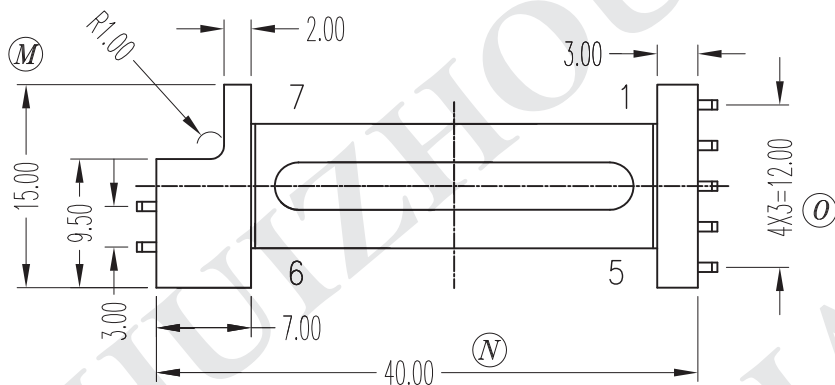
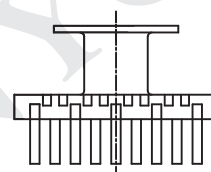
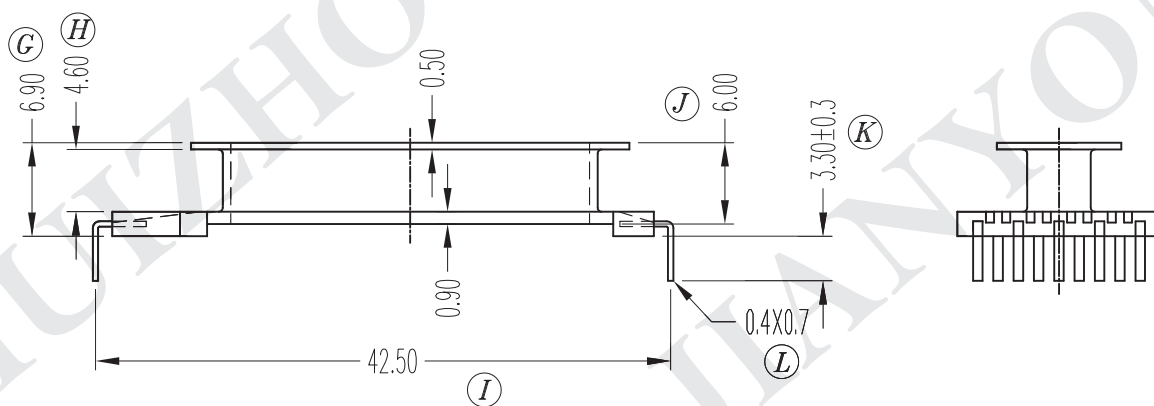
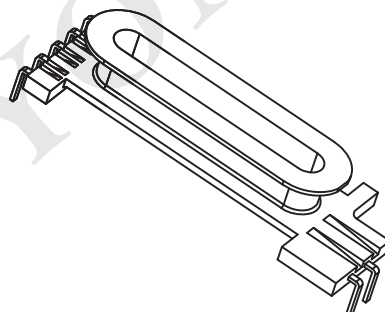
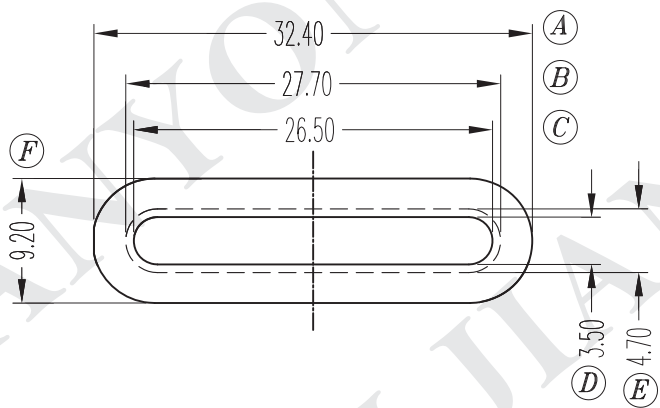

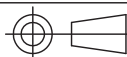



REV.	REVISIONS	REC.	DATE
A	FIRST RELEASE		2012.03.07



DRAWN & DRAFTED BY CHEN XL	TOLERANCES		ANGLE: ±1°	TITLE & DESC.: L PIN BOBBIN EDR28 (2+5 PIN)	
	0<L≤4 ±0.1	pin pitch ±0.2	UNIT: MM	MAINBODY MATERIAL: PHENOLIC PM9820	UL REC. UL 94V-0
CHECKED & APPROVED BY J.RONG	4<L≤16 ±0.2		SCALE: 1:1	PIN MATERIAL: CP WIRE	PIN RETENTION LOAD: 0.8 KGF MIN
 惠州市建永绝缘制品有限公司 HUIZHOU JIANYONG INSULATED PRODUCT CO., LTD			 DATE: MAR.07 '2012	DRAWING NO. JT-2803-1	REV. A
 惠州市建鑫实业有限公司 HUIZHOU JIANXIN INDUSTRIAL CO., LTD					